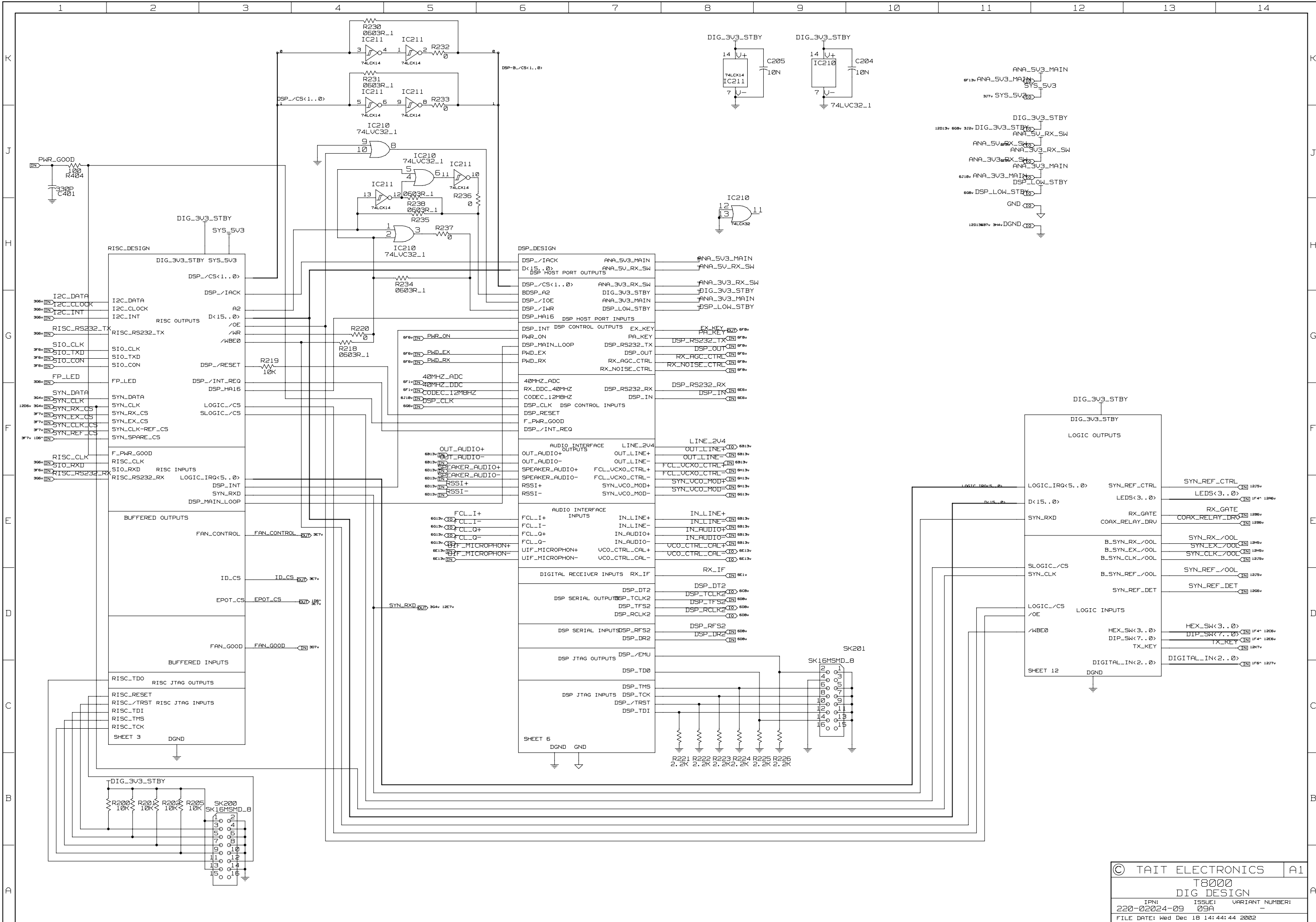


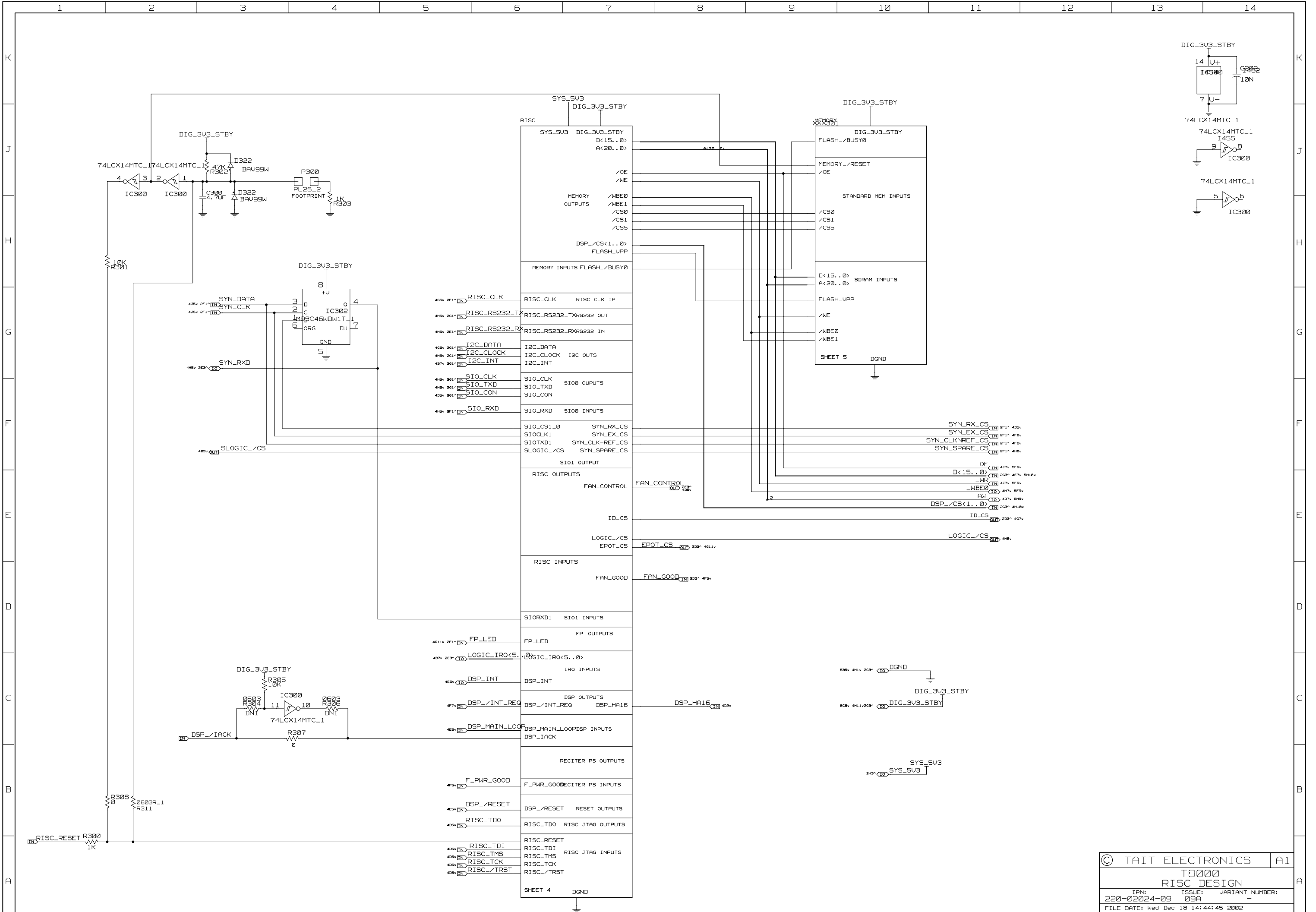
© TAIT ELECTRONICS A1
 T8000
 RECITER CONTROL
 IPN: 220-02024-09 ISSUE: 09A VARIANT NUMBER:
 FILE DATE: Wed Dec 18 14:44:42 2002
 ENGINEER: FILE NAME: SHEET NUMBER:
 MN 220_02024 1 OF 18

09A	DCO 02024-017	SA	MN	CK	MN	16/12/02
REV/ISS	AMENDMENTS	DRAWN	CHKD	D.O.	APVD	DATE
1						
2						
3						
4						
5						
6						
7						
8						
9						
10						
11						
12						
13						
14						



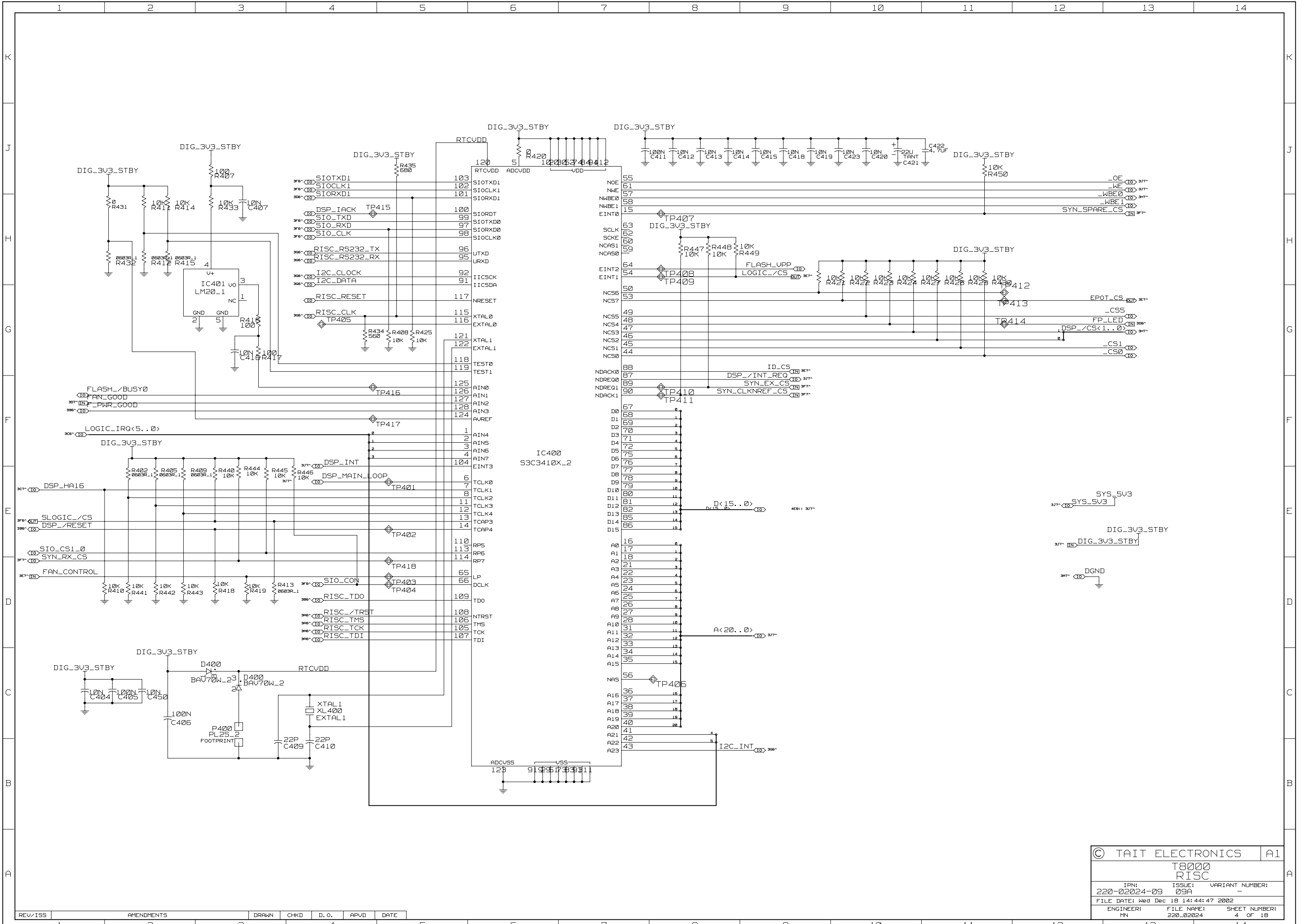
© TAIT ELECTRONICS		A1
T8000 DIG DESIGN		
IPN: 220-02024-09	ISSUE: 09A	VARIANT NUMBER: -
FILE DATE: Wed Dec 18 14:44:44 2002		
ENGINEER: MN	FILE NAME: 220_02024	SHEET NUMBER: 2 OF 18

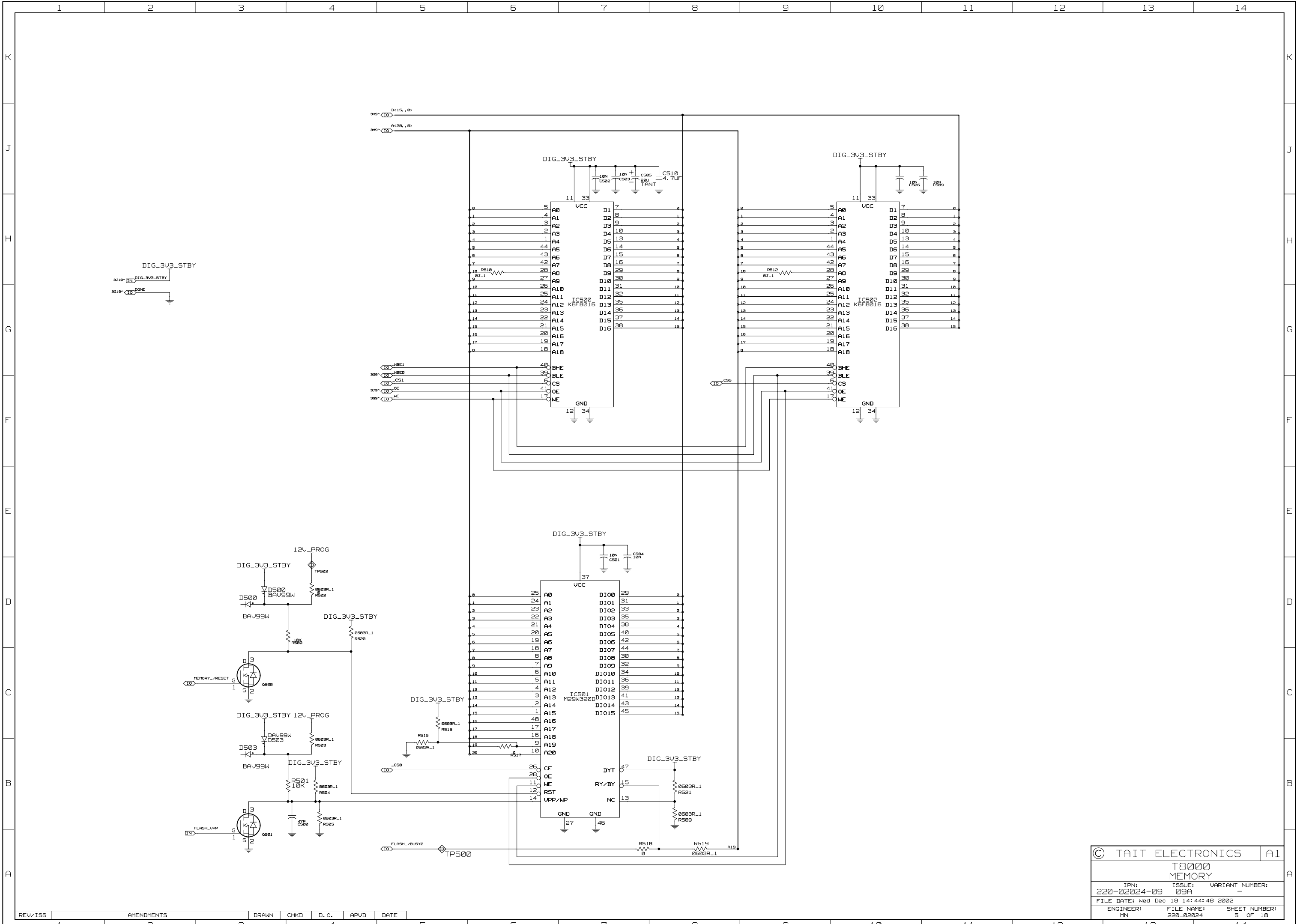
REV/ISS	AMENDMENTS	DRAWN	CHKD	D.O.	APVD	DATE
1						



© TAIT ELECTRONICS		A1
T8000 RISC DESIGN		
IPN: 220-02024-09	ISSUE: 09A	VARIANT NUMBER: -
FILE DATE: Wed Dec 18 14:44:45 2002		
ENGINEER: MN	FILE NAME: 220_02024	SHEET NUMBER: 3 OF 18

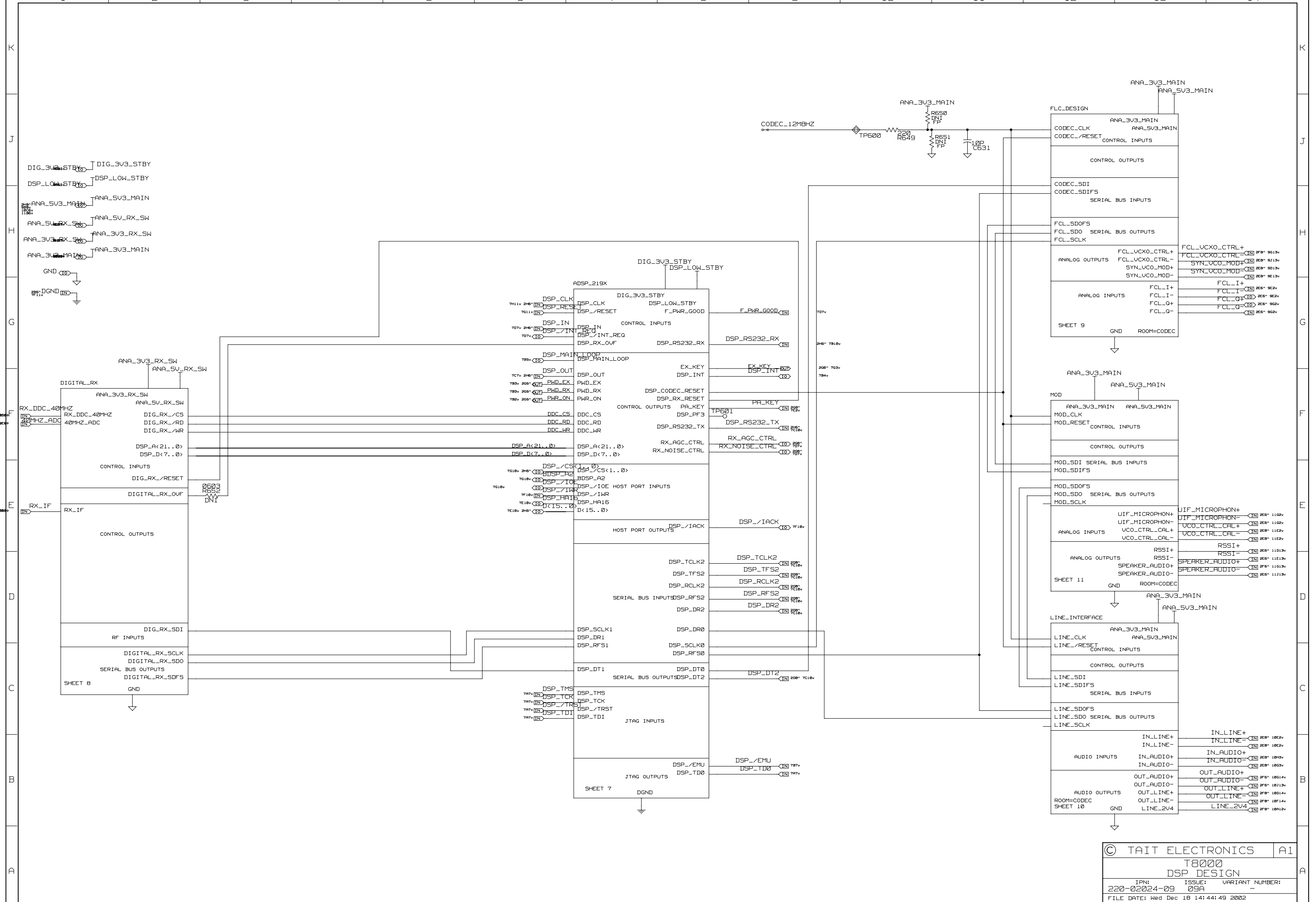
REV/ISS	AMENDMENTS	DRAWN	CHKD	D.O.	APVD	DATE
1						



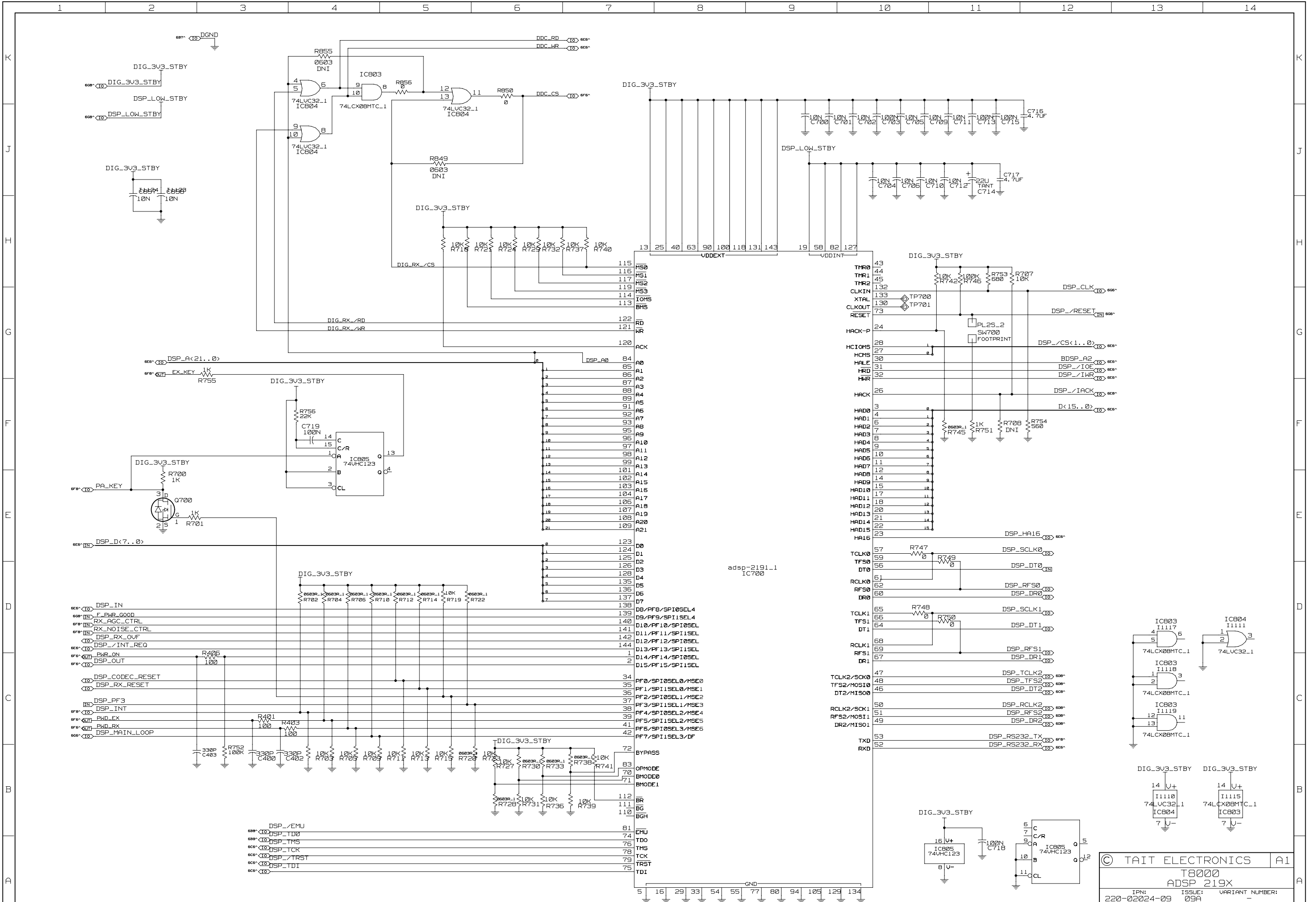


© TAIT ELECTRONICS		A1
T8000 MEMORY		
IPN: 220-02024-09	ISSUE: 09A	VARIANT NUMBER: -
FILE DATE: Wed Dec 18 14:44:48 2002		
ENGINEER: MN	FILE NAME: 220_02024	SHEET NUMBER: 5 OF 18

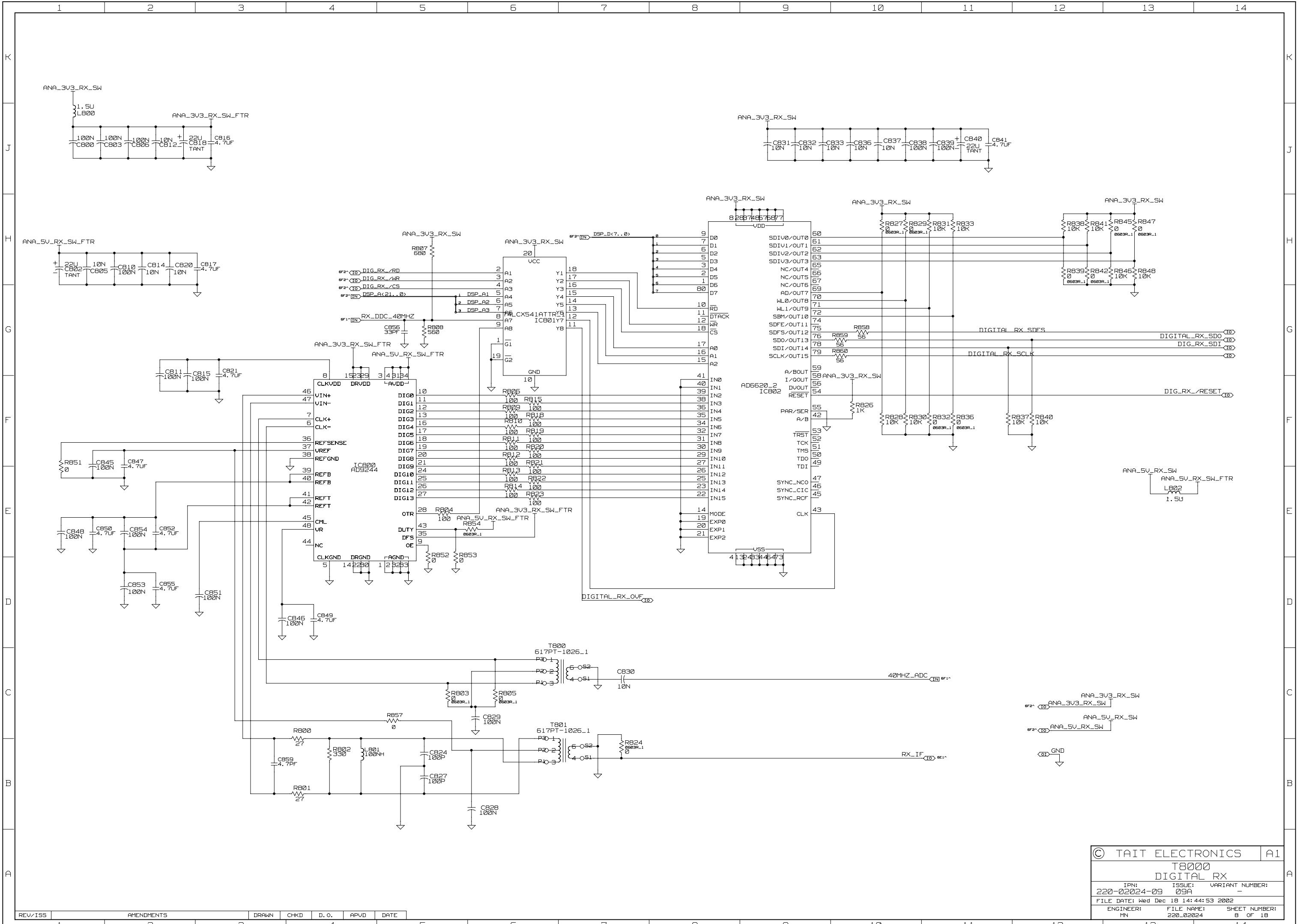
REV/ISS	AMENDMENTS	DRAWN	CHKD	D. O.	APVD	DATE
1						



© TAIT ELECTRONICS		A1
T8000 DSP DESIGN		
IPN: 220-02024-09	ISSUE: 09A	VARIANT NUMBER: -
FILE DATE: Wed Dec 18 14:44:49 2022		
ENGINEER: MN	FILE NAME: 220_02024	SHEET NUMBER: 6 OF 18

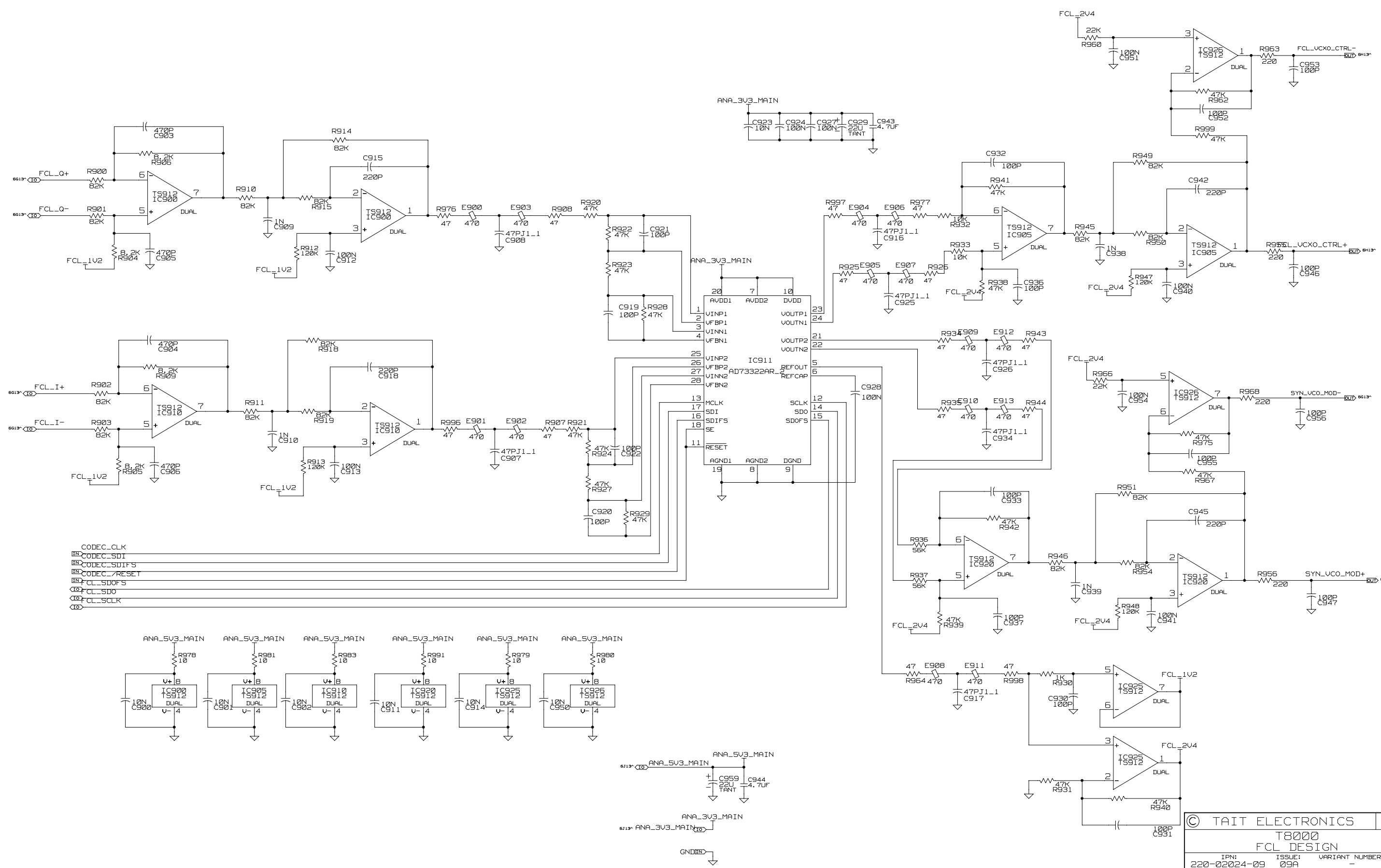


© TAIT ELECTRONICS		A1
T8000 ADSP_219X		
IPN: 220-02024-09	ISSUE: 09A	VARIANT NUMBER: -
FILE DATE: Wed Dec 18 14:44:51 2002		
ENGINEER: MN	FILE NAME: 220_02024	SHEET NUMBER: 7 OF 18



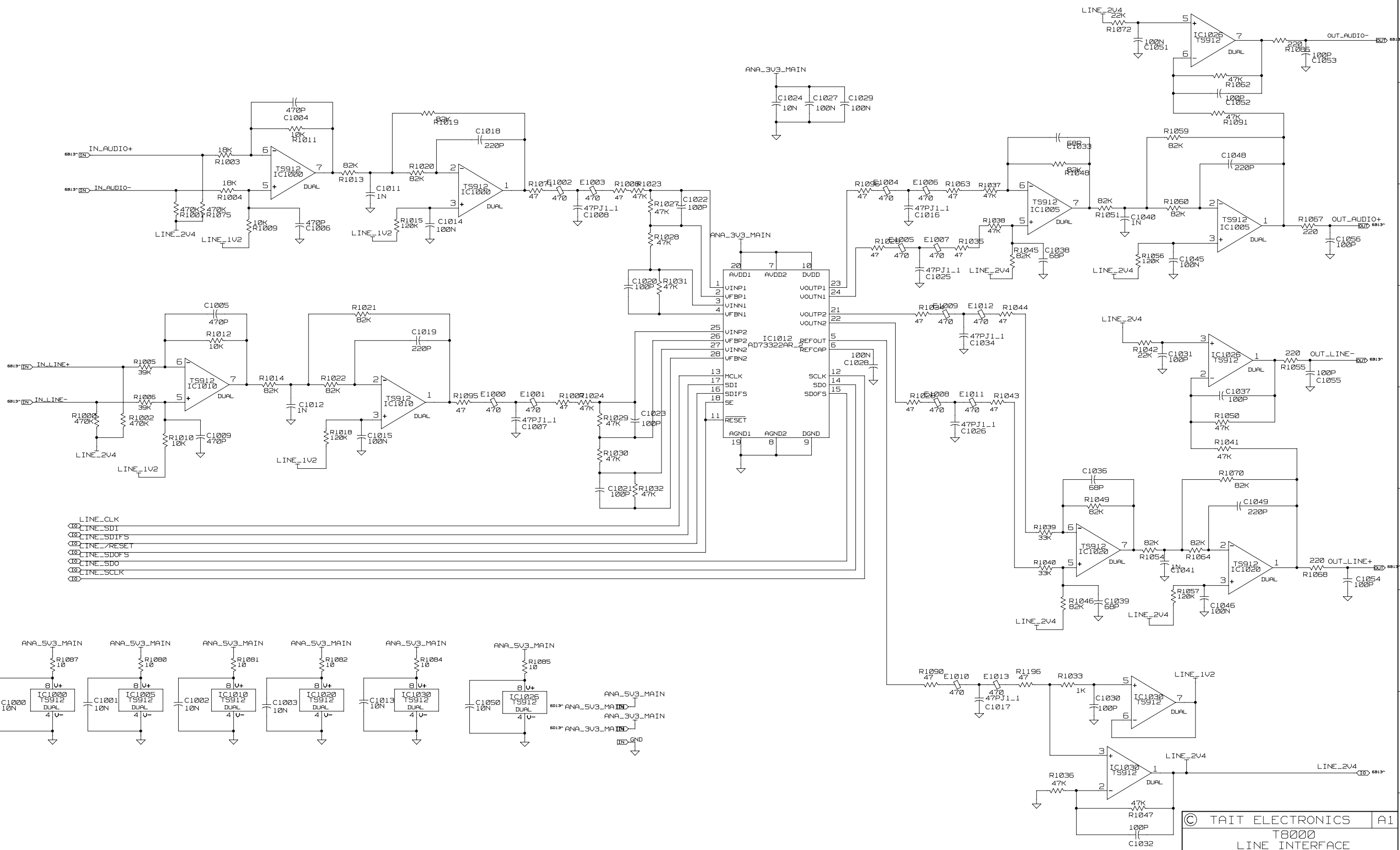
© TAIT ELECTRONICS		A1
T8000 DIGITAL RX		
IPN: 220-02024-09	ISSUE: 09A	VARIANT NUMBER: -
FILE DATE: Wed Dec 18 14:44:53 2002		
ENGINEER: MN	FILE NAME: 220_02024	SHEET NUMBER: 8 OF 18

REV/ISS	AMENDMENTS	DRAWN	CHKD	D.O.	APVD	DATE
1						



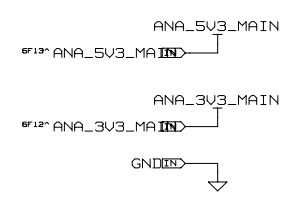
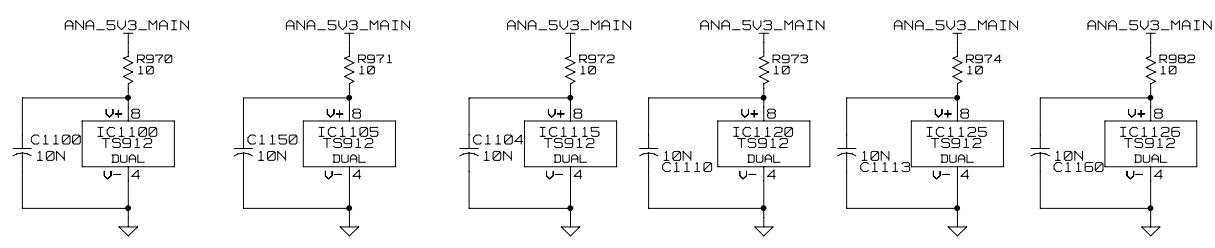
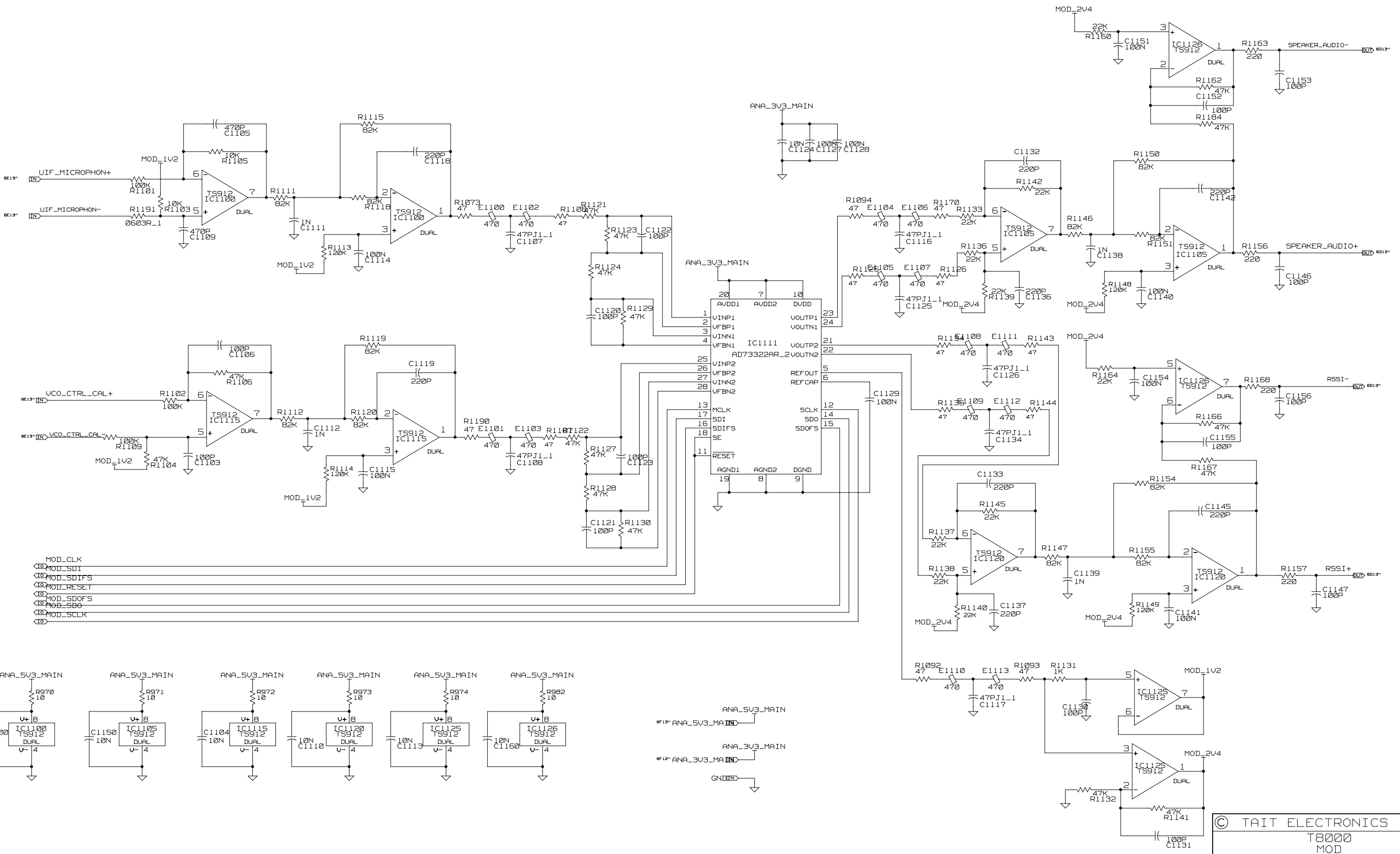
© TAIT ELECTRONICS		A1
T8000		
FCL DESIGN		
IPN: 220-02024-09	ISSUE: 09A	VARIANT NUMBER: -
FILE DATE: Wed Dec 18 14:44:55 2002		
ENGINEER: MN	FILE NAME: 220_02024	SHEET NUMBER: 9 OF 18

REV/ISS	AMENDMENTS	DRAWN	CHKD	D.O.	APVD	DATE
1						



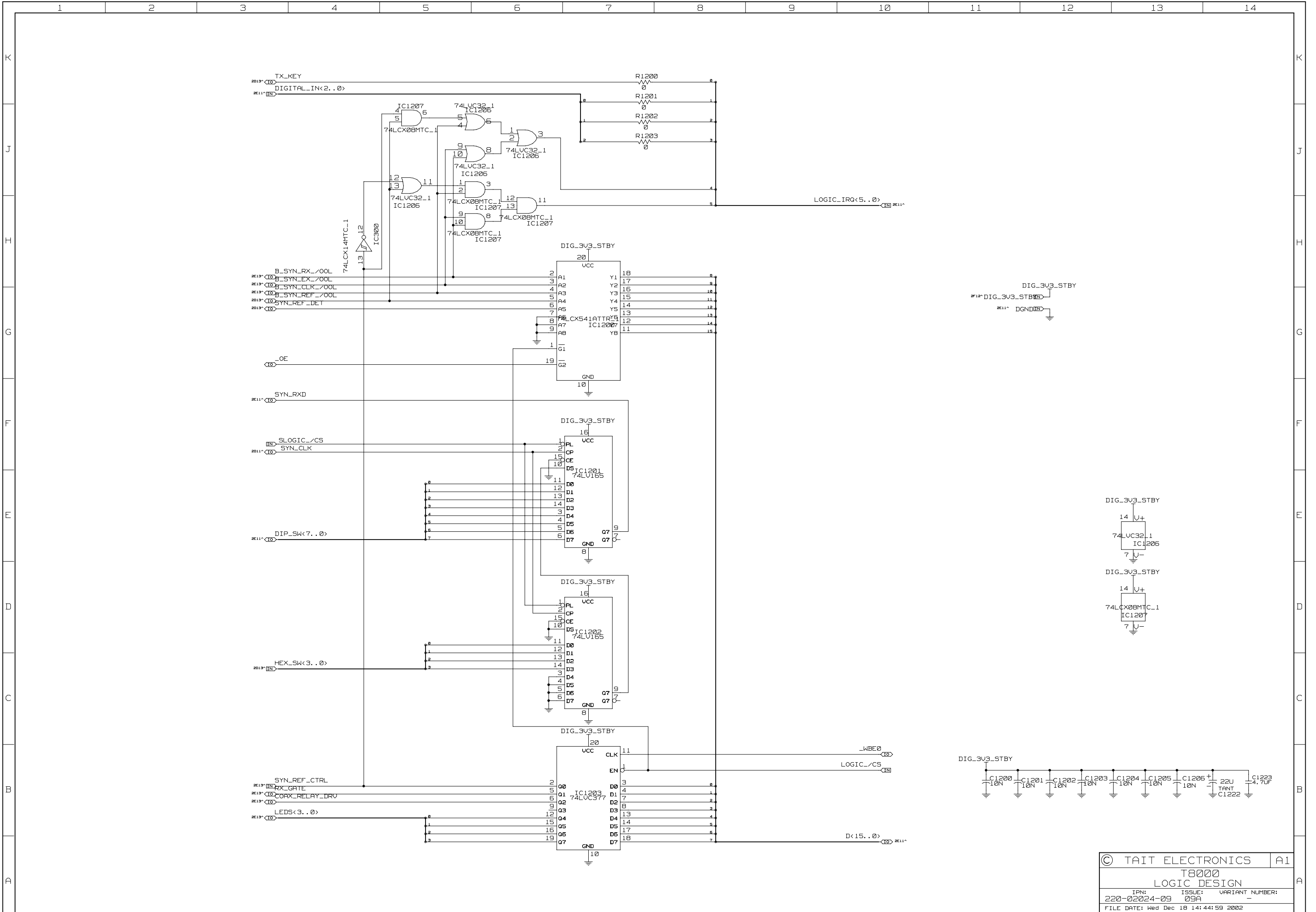
© TAIT ELECTRONICS		A1
T8000 LINE INTERFACE		
IPN: 220-02024-09	ISSUE: 09A	VARIANT NUMBER: -
FILE DATE: Wed Dec 18 14:44:57 2002		
ENGINEER: MN	FILE NAME: 220_02024	SHEET NUMBER: 10 OF 18

REV/ISS	AMENDMENTS	DRAWN	CHKD	D.O.	APVD	DATE
1						



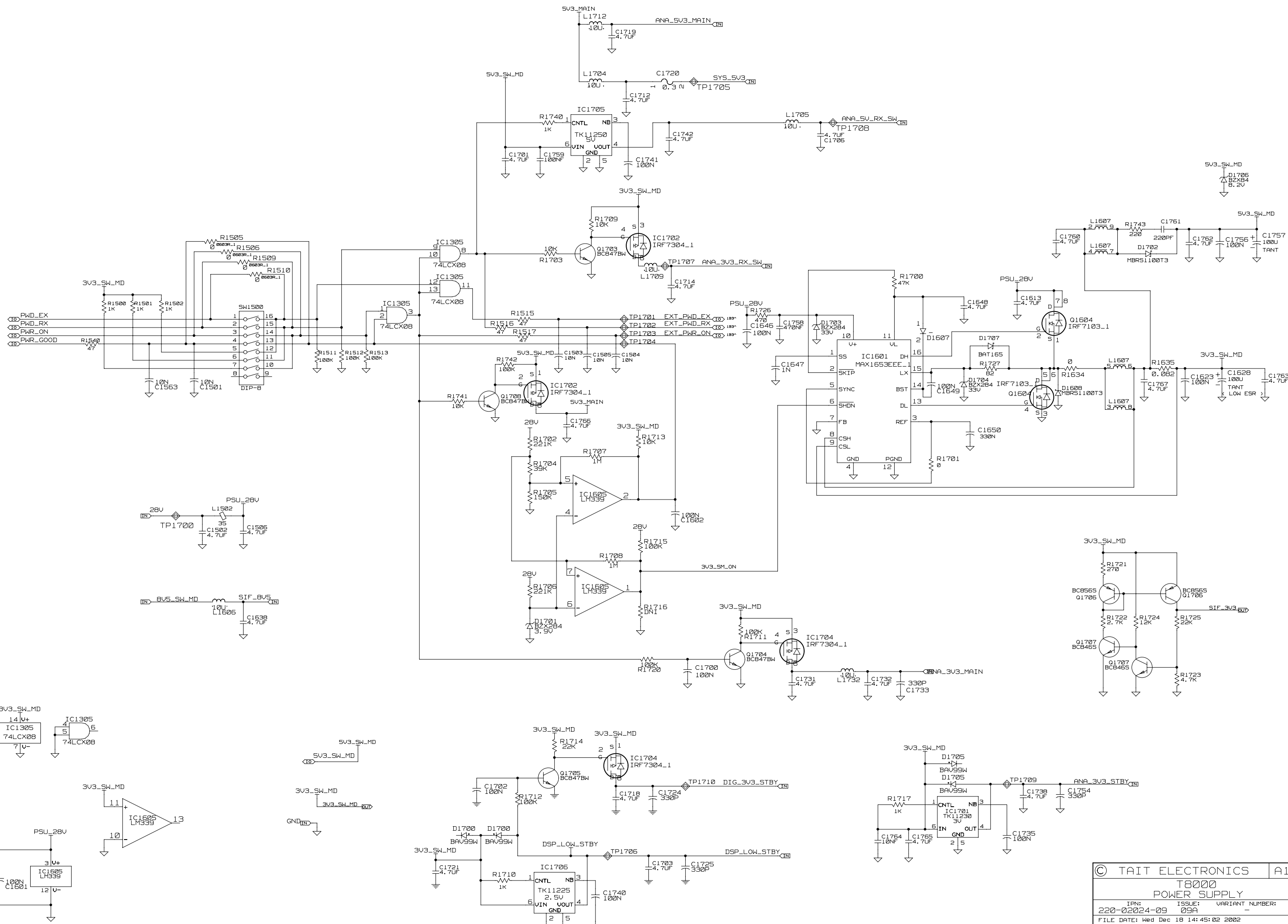
© TAIT ELECTRONICS		A1
T8000 MOD		
IPN: 220-02024-09	ISSUE: 09A	VARIANT NUMBER: -
FILE DATE: Wed Dec 18 14:44:58 2002		
ENGINEER: MN	FILE NAME: 220_02024	SHEET NUMBER: 11 OF 18

REV/ISS	AMENDMENTS	DRAWN	CHKD	D.O.	APVD	DATE
1						



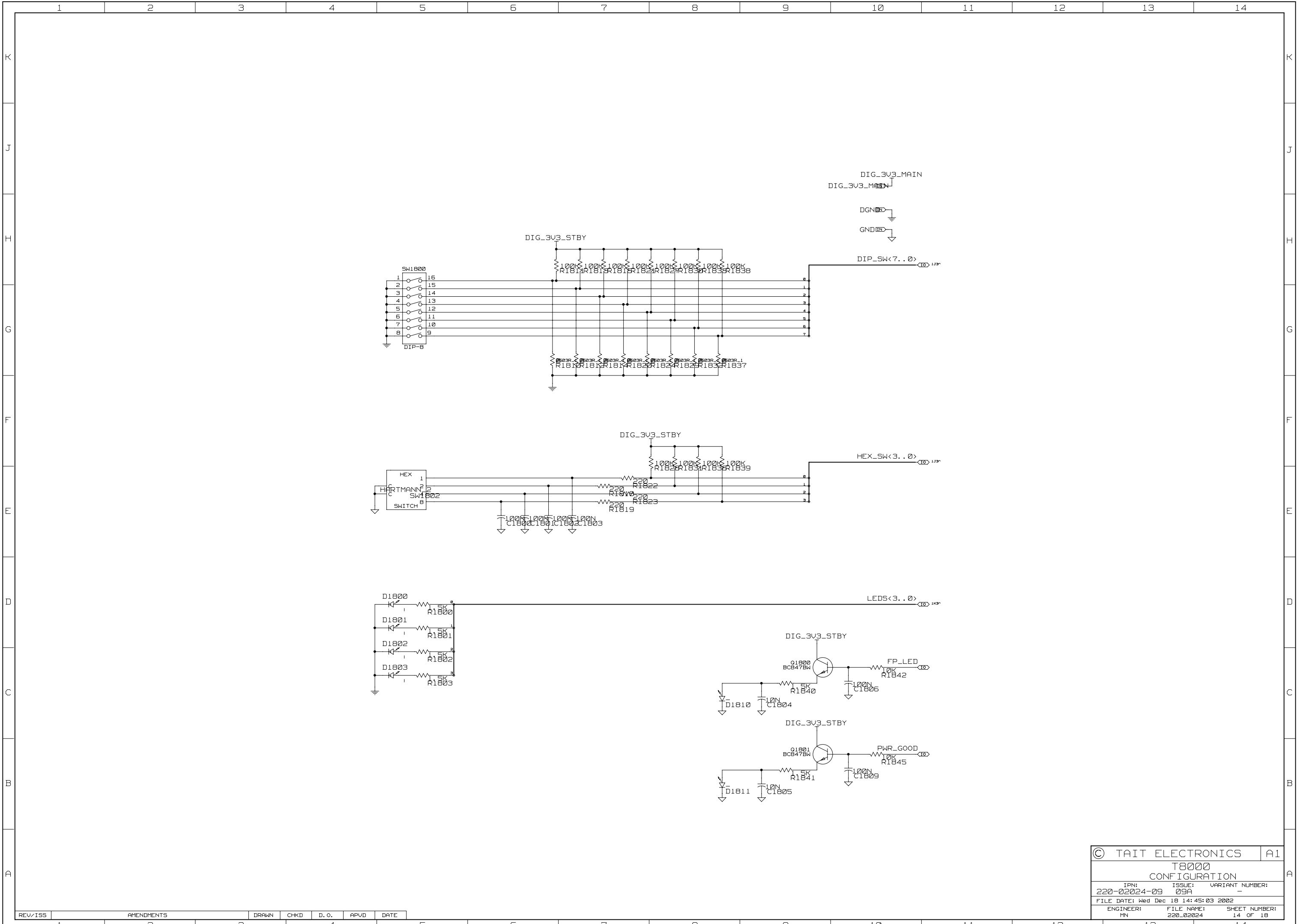
© TAIT ELECTRONICS		A1
T8000 LOGIC DESIGN		
IPN: 220-02024-09	ISSUE: 09A	VARIANT NUMBER: -
FILE DATE: Wed Dec 18 14:44:59 2022		
ENGINEER: MN	FILE NAME: 220_02024	SHEET NUMBER: 12 OF 18

REV/ISS	AMENDMENTS	DRAWN	CHKD	D.O.	APVD	DATE
1						



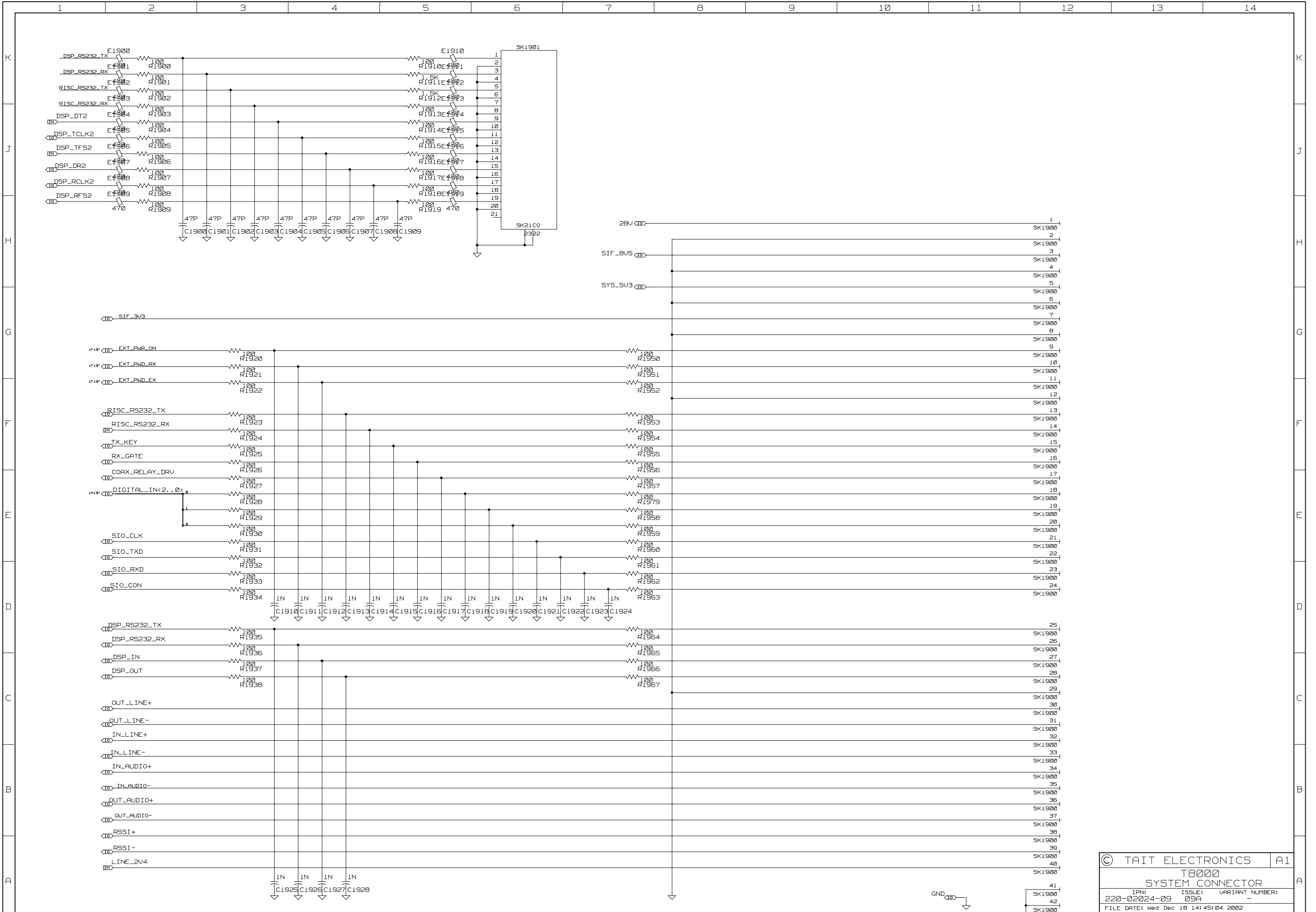
© TAIT ELECTRONICS		A1
T8000 POWER SUPPLY		
IPN: 220-02024-09	ISSUE: 09A	VARIANT NUMBER: -
FILE DATE: Wed Dec 18 14:45:02 2002		
ENGINEER: MN	FILE NAME: 220_02024	SHEET NUMBER: 13 OF 18

REV/ISS	AMENDMENTS	DRAWN	CHKD	D.O.	APVD	DATE
1						



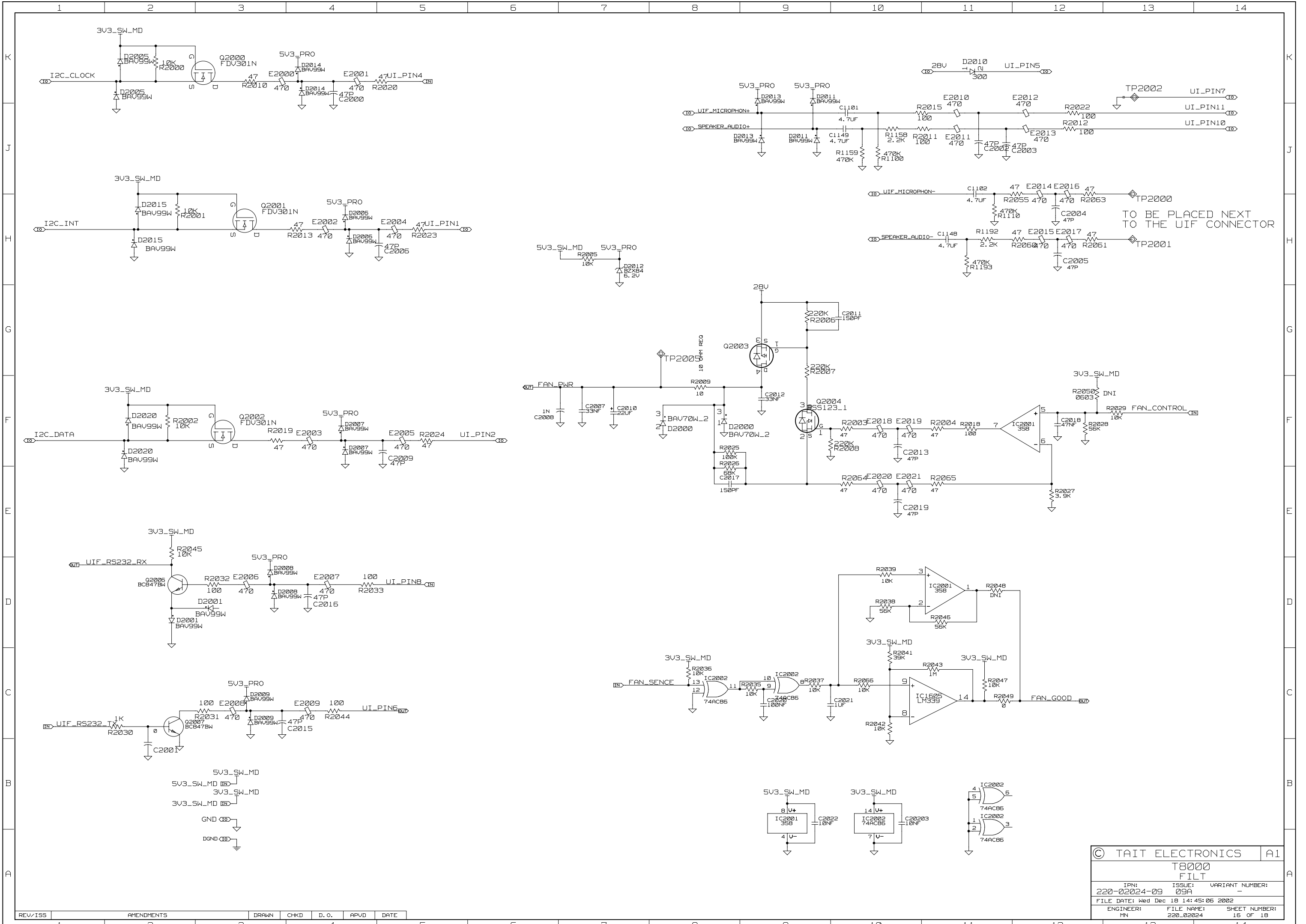
© TAIT ELECTRONICS		A1
T8000 CONFIGURATION		
IPN: 220-02024-09	ISSUE: 09A	VARIANT NUMBER: -
FILE DATE: Wed Dec 18 14:45:03 2002		
ENGINEER: MN	FILE NAME: 220_02024	SHEET NUMBER: 14 OF 18

REV/ISS	AMENDMENTS	DRAWN	CHKD	D.O.	APVD	DATE
1						



© TAIT ELECTRONICS		A1
T8000 SYSTEM CONNECTOR		
IPN: 220-02024-09	ISSUE: 09A	VARIANT NUMBER: -
FILE DATE: Wed Dec 18 14:45:04 2002		
ENGINEER: MN	FILE NAME: 220_02024	SHEET NUMBER: 15 OF 18

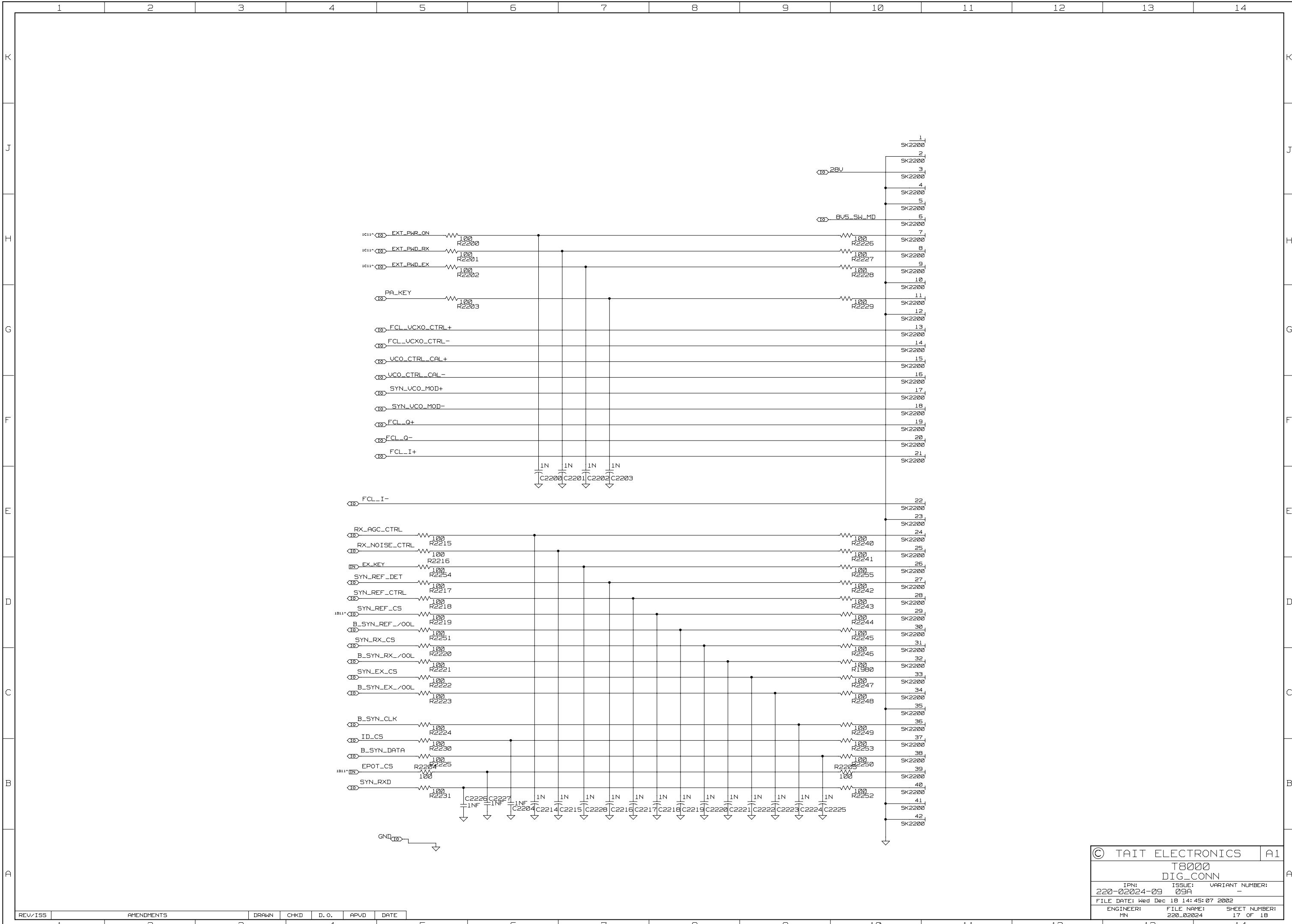
REV/ISS	AMENDMENTS	DRAWN	CHKD	D.O.	APVD	DATE
1						



TO BE PLACED NEXT TO THE UIF CONNECTOR

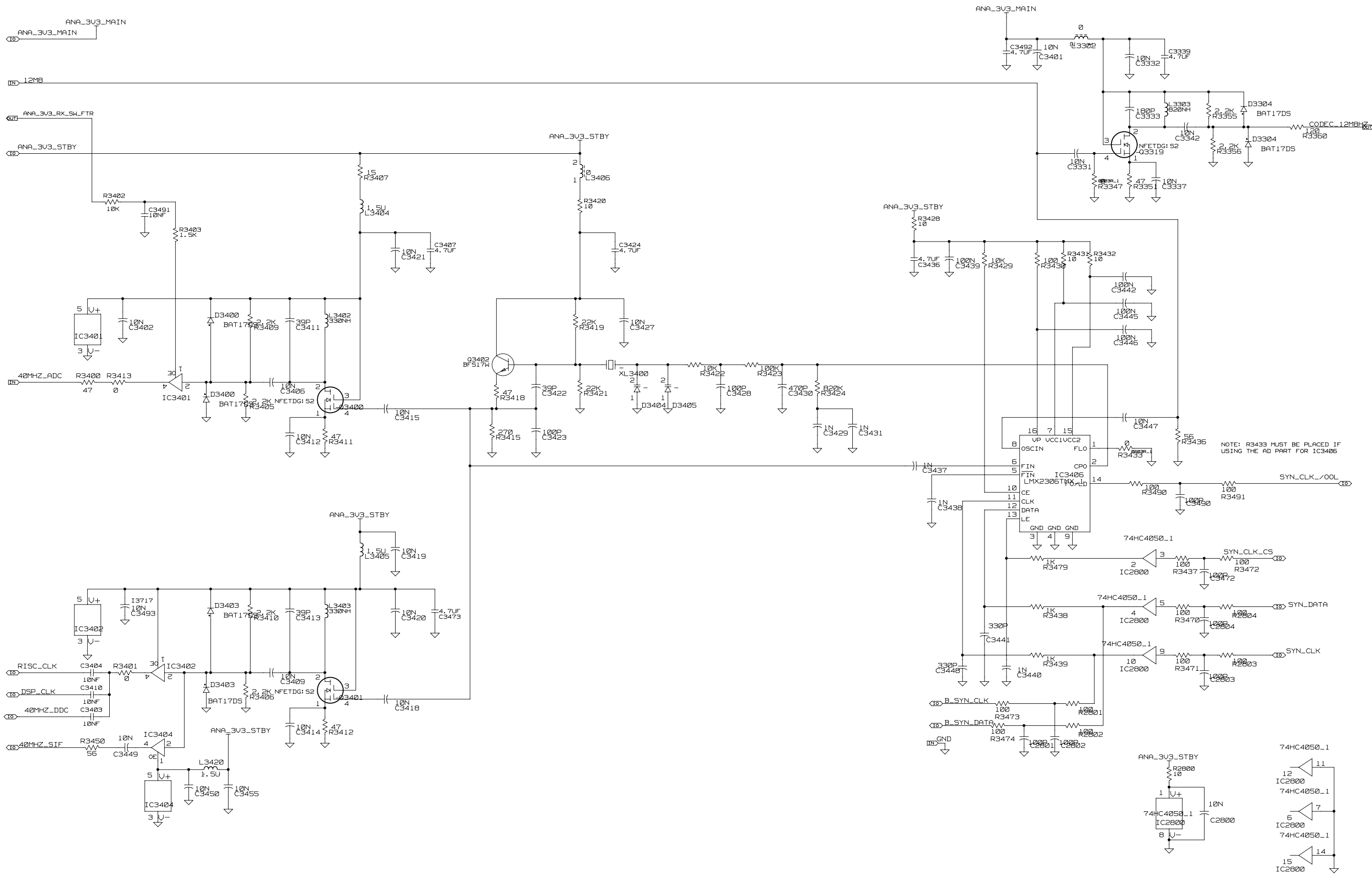
© TAIT ELECTRONICS		A1
TB000 FILTER		
IPN: 220-02024-09	ISSUE: 09A	VARIANT NUMBER: -
FILE DATE: Wed Dec 18 14:45:05 2002		
ENGINEER: MN	FILE NAME: 220_02024	SHEET NUMBER: 16 OF 18

REV/ISS	AMENDMENTS	DRAWN	CHKD	D.O.	APVD	DATE
1						



© TAIT ELECTRONICS		A1
T8000 DIG_CONN		
IPN: 220-02024-09	ISSUE: 09A	VARIANT NUMBER: -
FILE DATE: Wed Dec 18 14:45:07 2002		
ENGINEER: MN	FILE NAME: 220_02024	SHEET NUMBER: 17 OF 18

REV/ISS	AMENDMENTS	DRAWN	CHKD	D. O.	APVD	DATE
1						



© TAIT ELECTRONICS		A1
T8000		
ANALOG CLOCK SYNTH		
IPN: 220-02024-09	ISSUE: 09A	VARIANT NUMBER: -
FILE DATE: Wed Dec 18 14:45:08 2002		
ENGINEER: MN	FILE NAME: 220_02024	SHEET NUMBER: 18 OF 18

REV/ISS	AMENDMENTS	DRAWN	CHKD	D.O.	APVD	DATE
1						

